
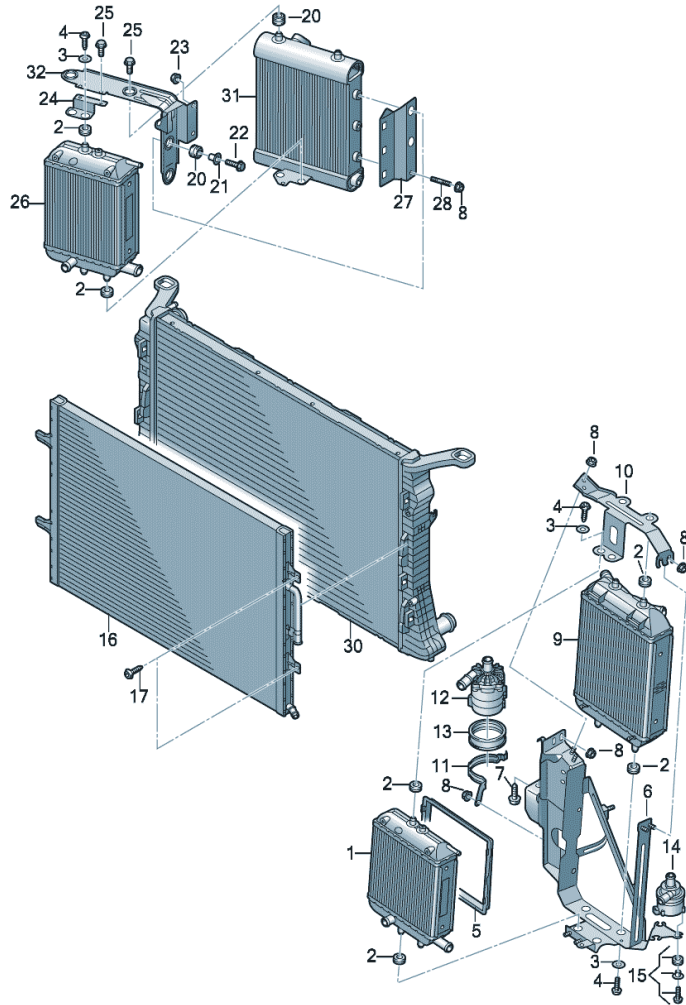
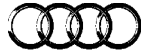


Model	Year	MG	SG	Illustration	UPD	21:04	17.08.2013	 Audi	ETKA
RS6	2014	1	21	121-071	977				



Pos	Part Number	Name	Remark	Qty	Model
		additional radiator additional water pump			
1	4G0 121 202	additional radiator	left front	1	
2	4D0 317 867 A	rubber isolator		12	
3	N 902 259 01	washer	6,2X24X2	2	
4	N 104 718 02	oval hexagon socket head bolt	M5X12	2	
5	4G0 121 699	air duct	left	1	
6	4G0 121 261 L	bracket for additional radiator	left	1	
7	N 910 507 01	bolt, with polygon socket hd. (combi.)	M8X20	1	
8	N 015 082 10	shouldered hex. nut	M6	8	
9	8K0 121 212 C	additional radiator	left rear	1	
10	4G0 121 263	bracket for additional radiator	left upper	1	
11	4G0 145 896 M	bracket for additional water pump	left inner	1	
12	8K0 965 569 A	water pump	left inner	1	
13	4F0 133 567	ounce bumper	left inner	1	
14	6R0 965 561 A	additional water pump	left outer	1	
15	5N0 198 093	1 set of securing parts	left outer	1	
16	4H0 145 804 E	additional radiator	front center	1	
17	N 907 976 01	oval hexagon socket head bolt	6X17	2	
20		grommet	see illustration: 117-10	4	
21		bushing	see illustration: 117-10	2	
22		bolt, hex. hd. (combi.)	M6X30 see illustration: 117-10	2	
23		shouldered hex. nut	M8 see illustration: 117-10	3	
24	4G0 121 264	bracket for additional radiator	right upper	1	
25	N 100 091 10	bolt, hex. hd. (combi.)	M6X12	2	

Model	Year	MG	SG	Illustration		UPD	21:04	17.08.2013	 ETKA Audi
RS6	2014	1	21	121-071		977			

Pos	Part Number	Name	Remark	Qty	Model	Pos	Part Number	Name	Remark	Qty	Model
26	4G0 121 212 B	additional radiator	right	1							
27	4G0 121 297	air duct	right	1							
28	WHT 003 165	stud	M6X9X16	1							
30		radiator									
		see illustration:	121-70								
31		oil cooler									
		see illustration:	117-10								
32		bracket for oil cooler									
		see illustration:	117-10								